

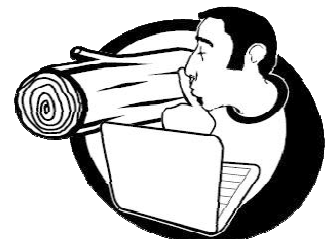
# *Project Plan: Low Entertainment Center*



This elegant and functional entertainment center was designed with modern electronics in mind. It features ample room for a flat panel television, numerous options for component storage, slots in the rear for air exchange, and a secret cubby in the back for storing a surge protector. And perhaps the best part is that the entire thing can be built with a very modest collection of portable power tools, including a circular saw, a router, a drill, and a sander.

*Low Entertainment Center  
by Marc Spagnuolo*

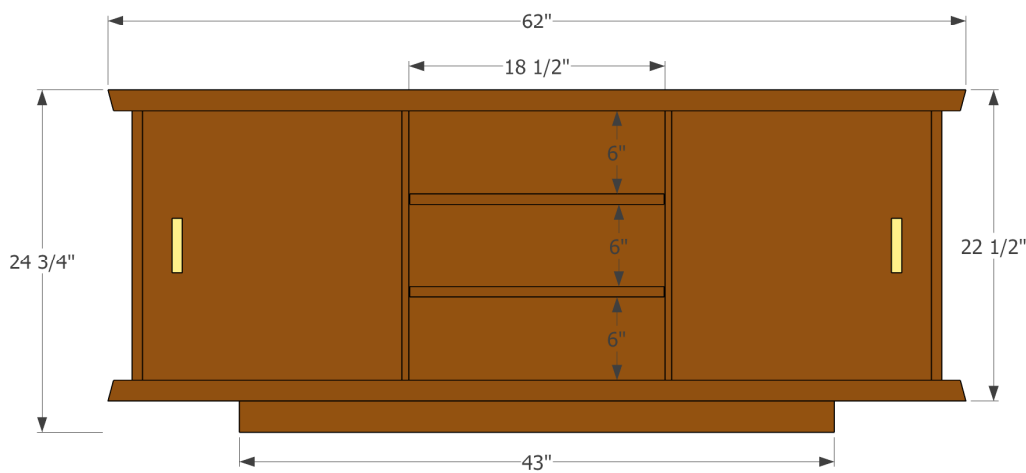
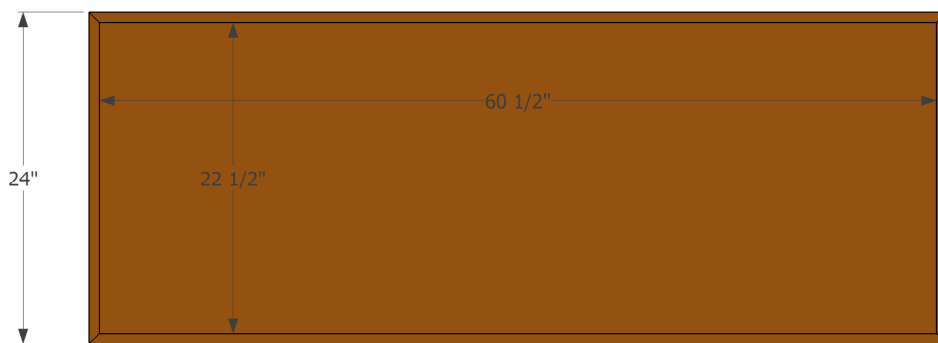
Copyright © 2009, *The Wood Whisperer*



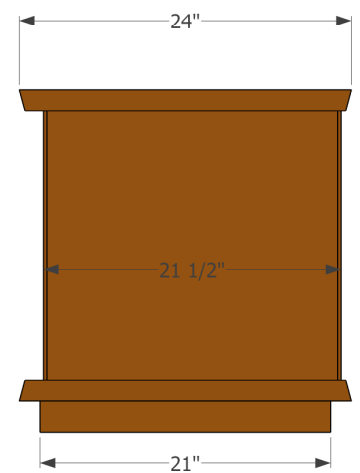
TheWoodWhisperer.com

# Overall Dimensions

Top View



Front View

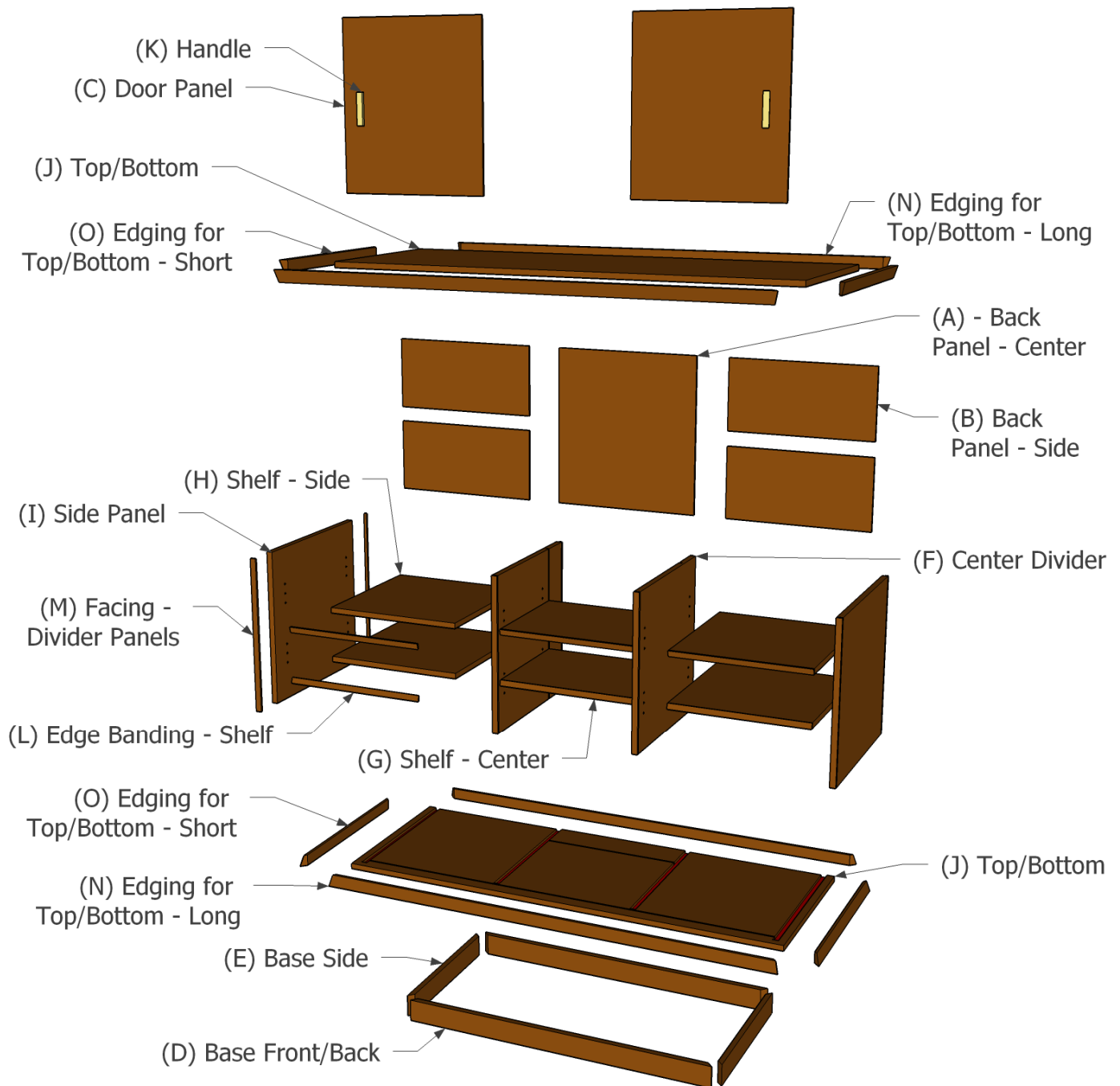


Side View

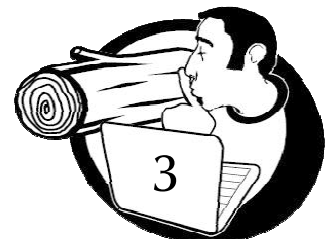
*Don't be afraid to play with these dimensions to suit your personal needs.*



# Exploded View



*TIP: Cut similar parts at the same time to ensure accuracy.*



# Cut List

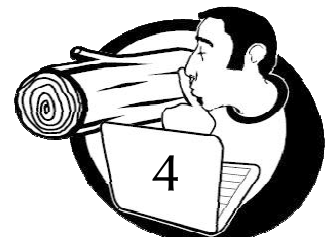
Part ID	Part Description	Material	Qty	Dims (Width x Length)
A	Back Panel - Center	1/4" Veneer Plywood	1	21" W x 19 1/4" L
B	Back Panel - Side	1/4" Veneer Plywood	4	9 1/2" W x 19 1/4" L
C	Door Panel	1/4" Veneer Plywood	2	18 3/4" W x 20 7/8" L
D	Base Front/Back	3/4" Veneer Plywood	2	3" W x 43" L
E	Base Side	3/4" Veneer Plywood	2	3" W x 21" L
F	Center Divider	3/4" Veneer Plywood	2	19 7/8" W x 21" L
G	Shelf - Center	3/4" Veneer Plywood	2	15" W x 18 3/8" L
H	Shelf - Side	3/4" Veneer Plywood	4	19" W x 18 3/8" L
I	Side Panel	3/4" Veneer Plywood	2	21" W x 21" L
J	Top / Bottom	3/4" Veneer Plywood	2	22 1/2" W x 60 1/2" L
K	Handle	Hardwood of choice	2	3/4" Thick x 3/4" W x 4" L
L	Edge Banding - Shelf	Walnut (Use Offcuts)	6	3/4" W x 18 3/8" L
M	Facing - Divider Panels Edging for Top/Bottom	Walnut	8	1/4" Thick x 3/4" W x 21" L
N	(Long) Edging for Top/Bottom	Walnut	4	3/4" Thick x 1 1/2" W x 62" L
O	(Short)	Walnut	4	3/4" Thick x 1 1/2" W x 24" L

## Notes:

Dimensions for all plywood parts are before adding edge banding.

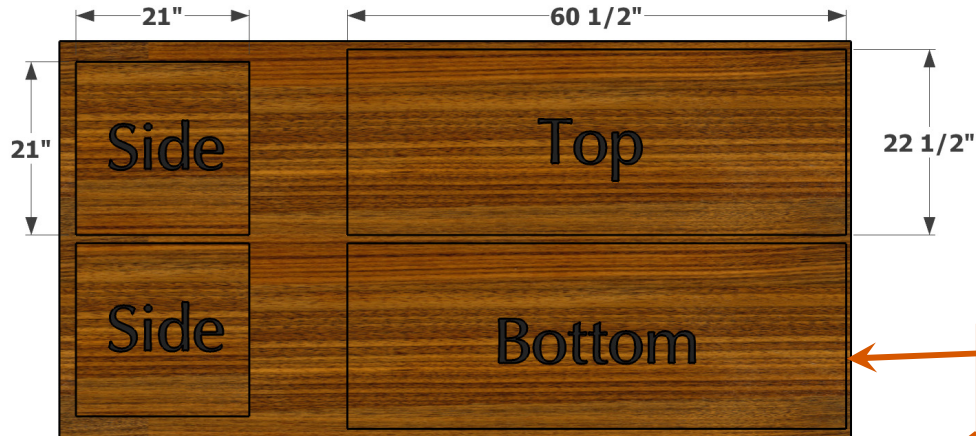
Use Offcuts from Top/Bottom Edging (N) and (O) to make Shelf Edge Banding (L).

*Grain direction should align with the length of each part.*

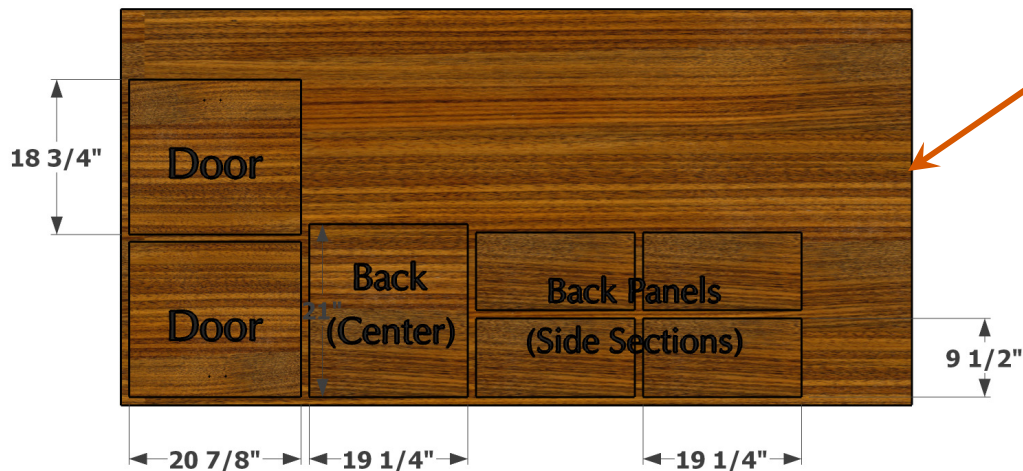
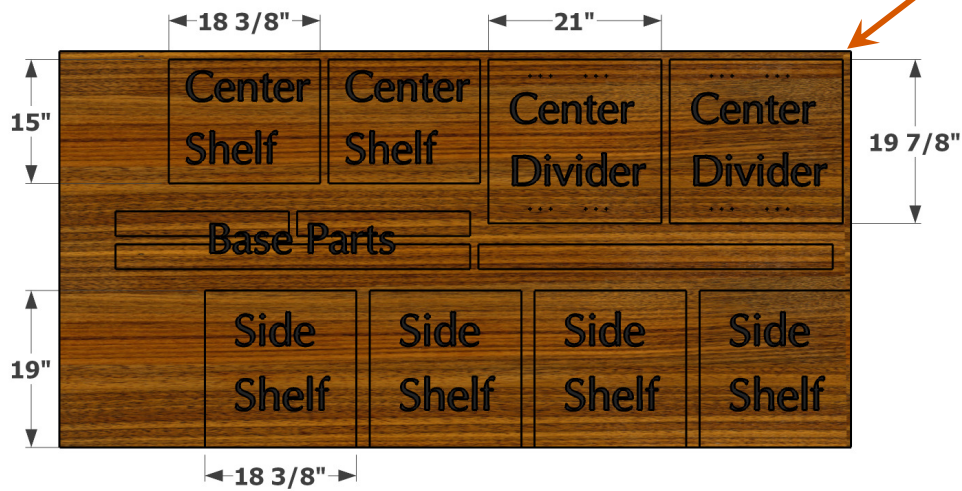




# Cut Diagram



3/4"  
Plywood

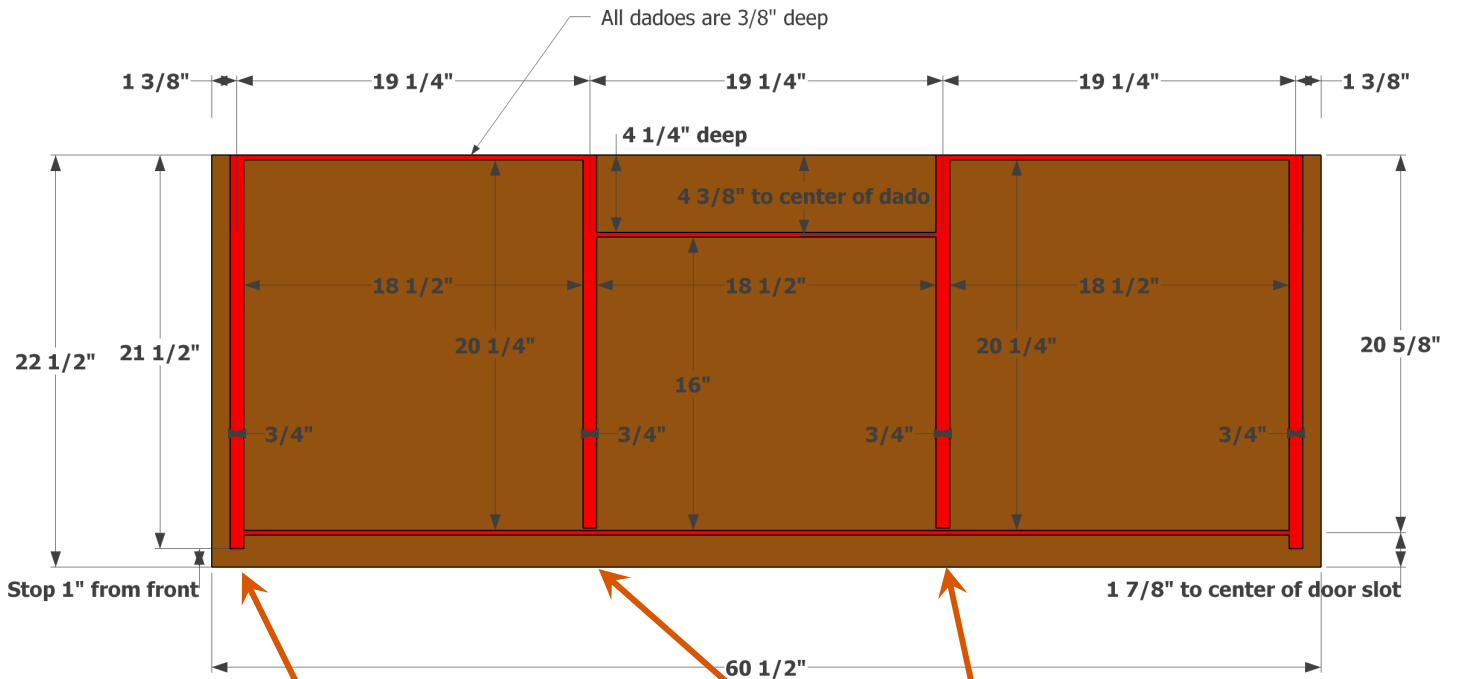


1/4"  
Plywood

*TIP: Rough cut parts first, then trim to final size.*



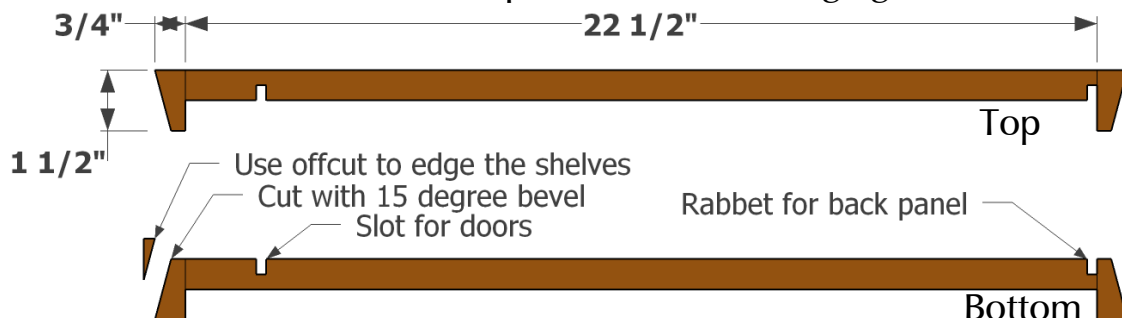
# Top & Bottom Details



**NOTE:** Adjust the length of the dado for the side panel if you do not use 1/4" edge banding.

**NOTE:** Stop the dado for center dividers 1/8" before the door slot.

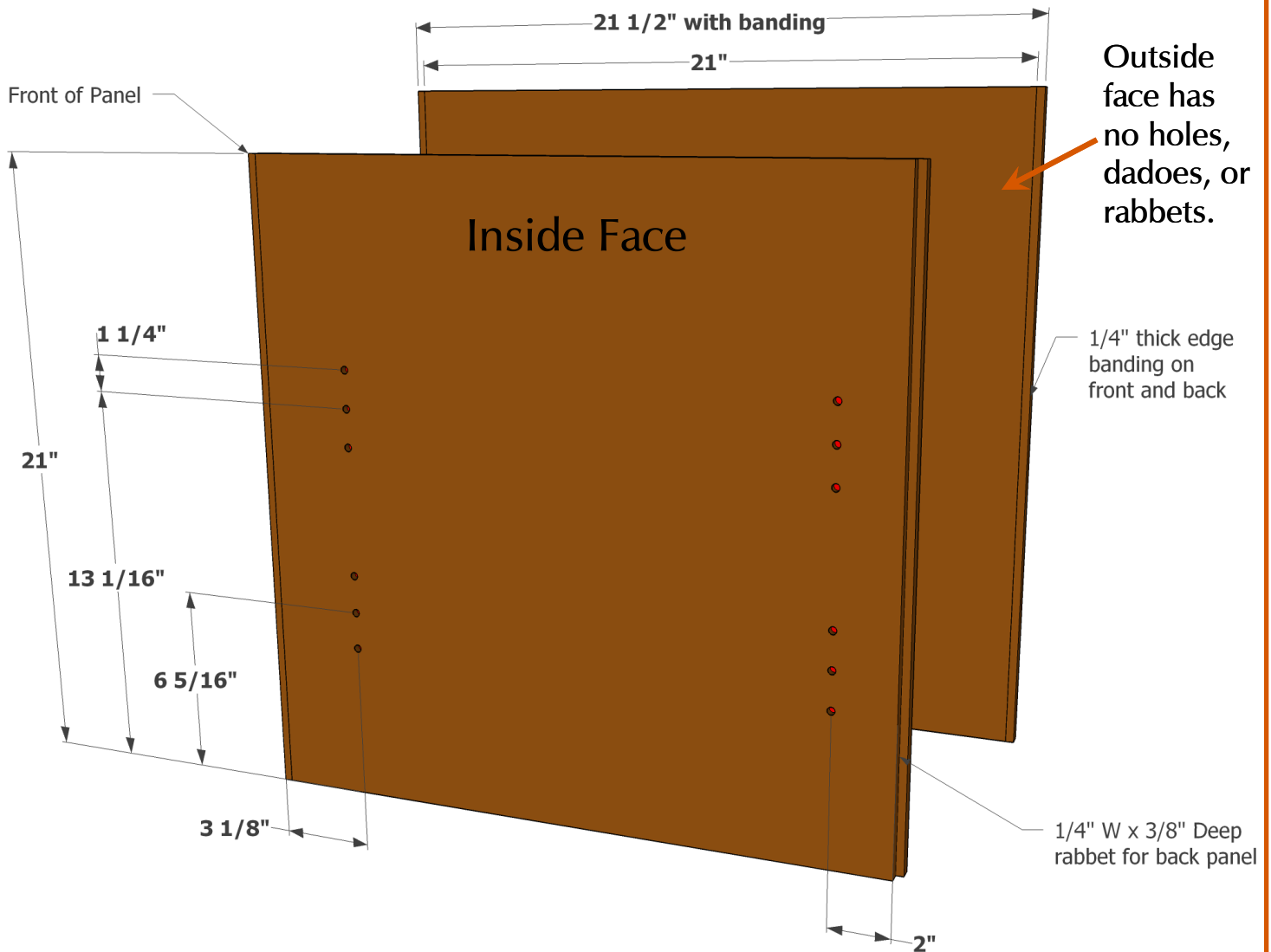
Profile of Top & Bottom with Edging



**TIP:** Layout center line of dadoes to eliminate error.



# Side Panel Details



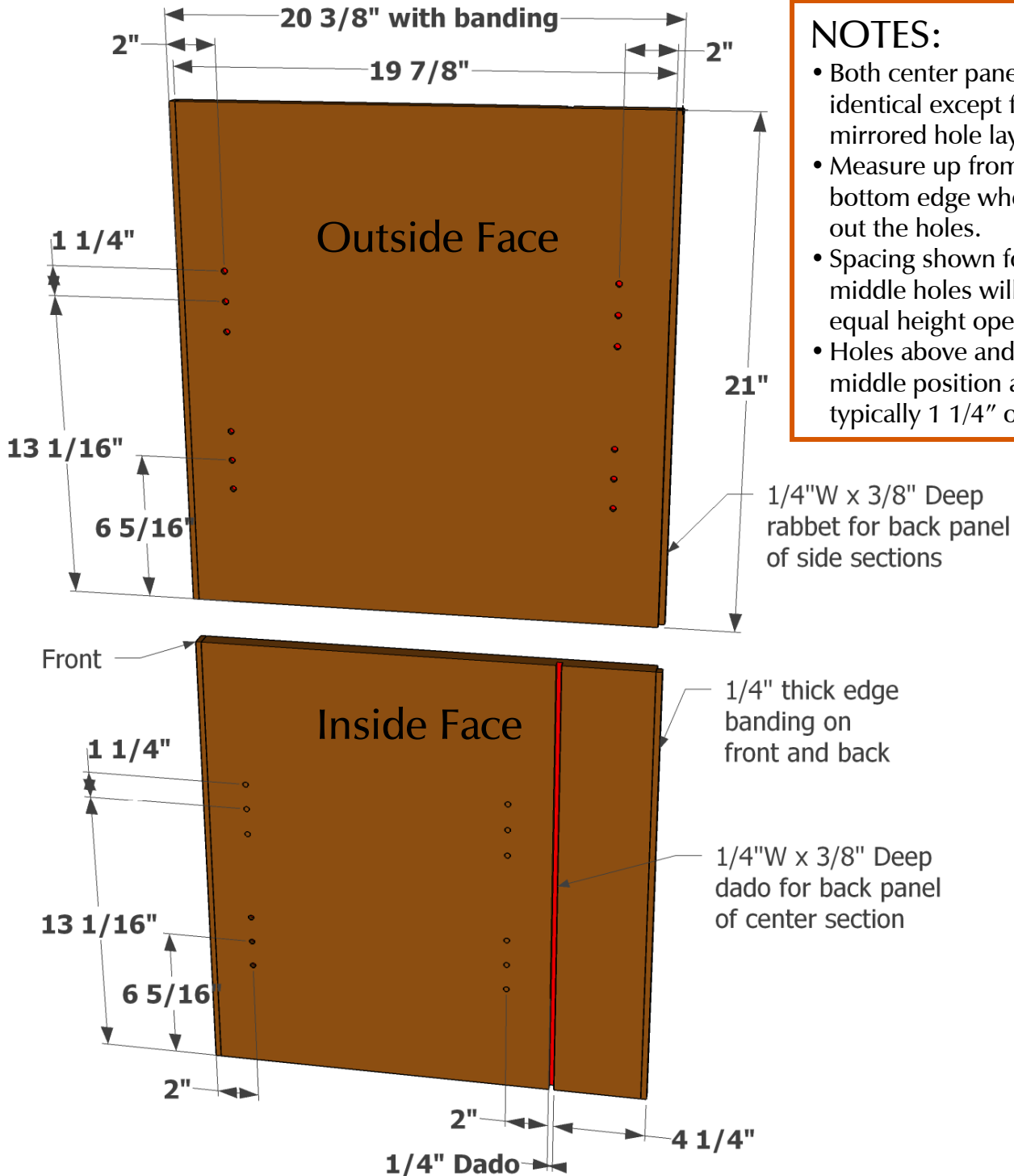
## NOTES:

- Both side panels are identical except for the mirrored hole layout.
- Measure up from the bottom edge when laying out the holes.
- Spacing shown for the middle holes will achieve equal height openings.
- Holes above and below the middle position are typically 1 1/4" on center.

*Cover edges with 1/4" banding then make rabbets for back panel.*



# Center Divider Details



## NOTES:

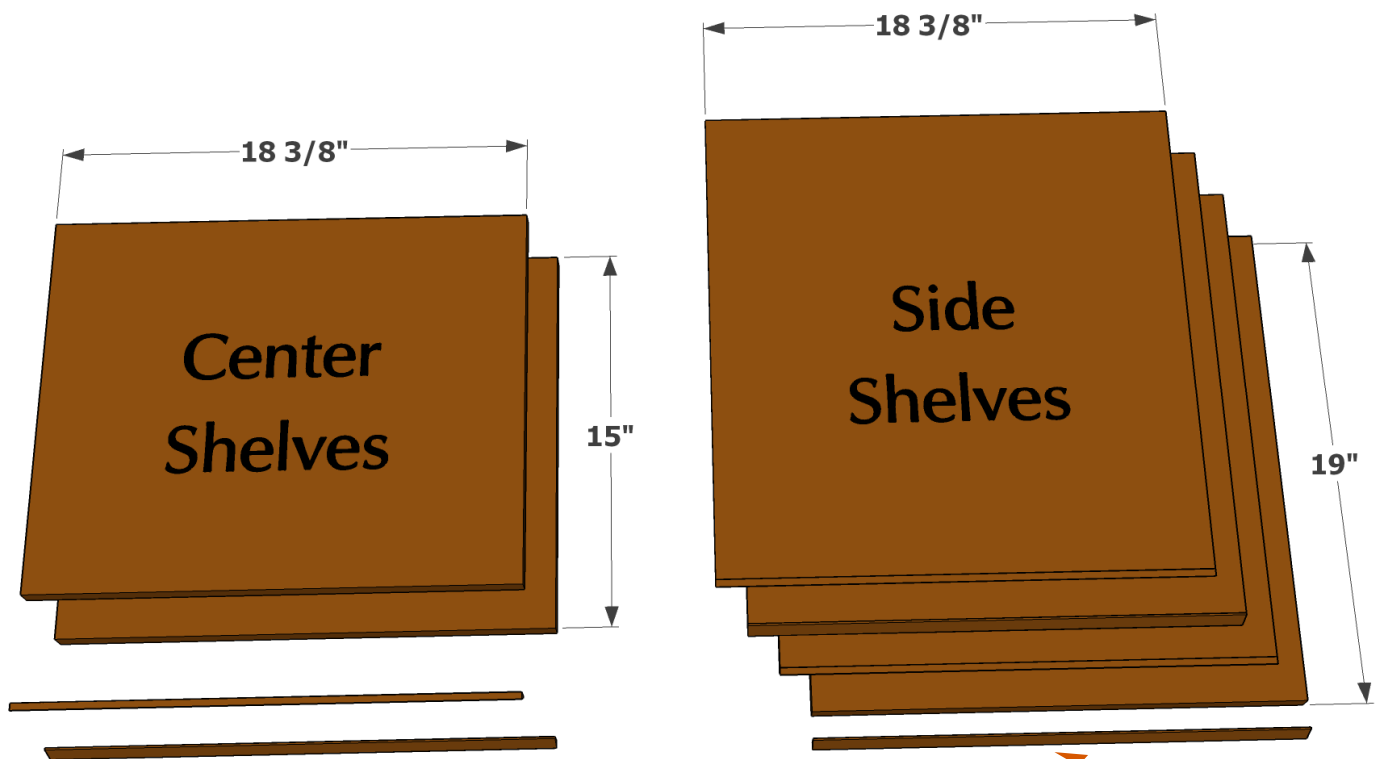
- Both center panels are identical except for the mirrored hole layout.
- Measure up from the bottom edge when laying out the holes.
- Spacing shown for the middle holes will achieve equal height openings.
- Holes above and below the middle position are typically  $1 \frac{1}{4}$ " on center.

*TIP: The hole layouts are unique on each panel. Double check them!*



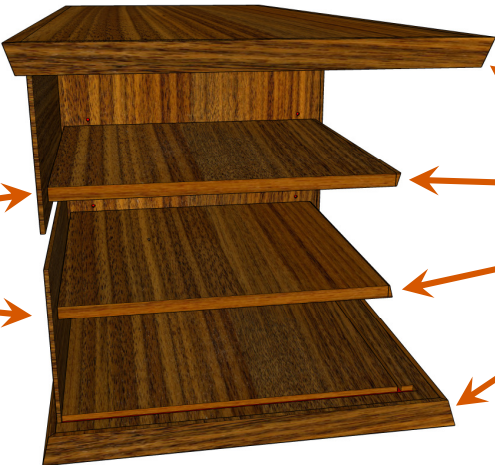


# Shelf Details



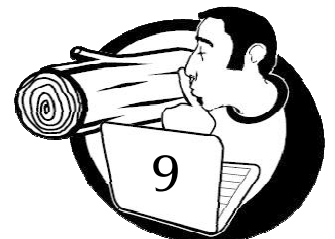
Shelf edge banding uses offcuts from Top/Bottom edging.

Side shelves have 1/4" gap behind them for cables and wires.

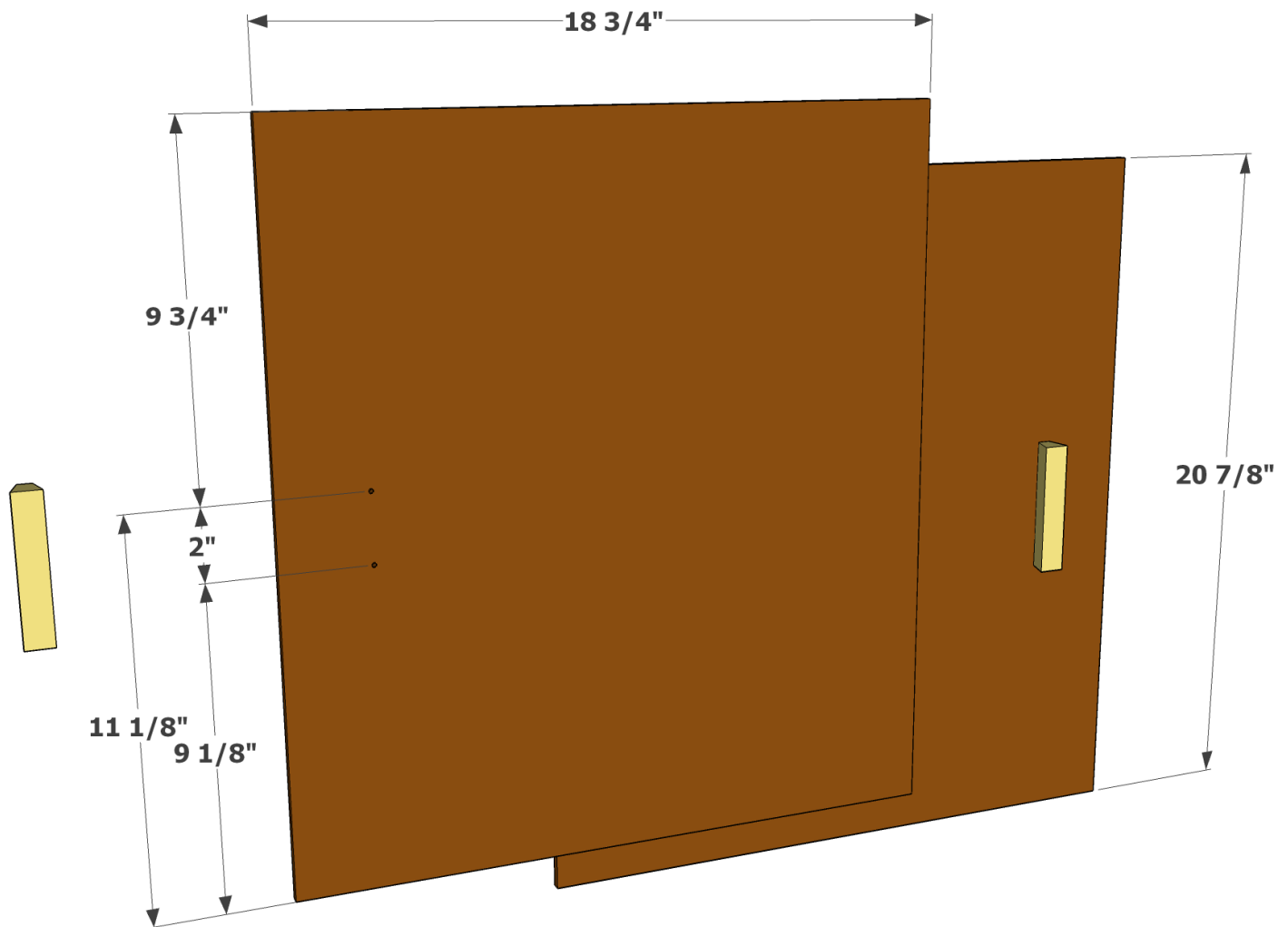


Beveled shelf fronts use the same shapes as Top & Bottom edges.

*Beveled edge banding provides a custom look!*

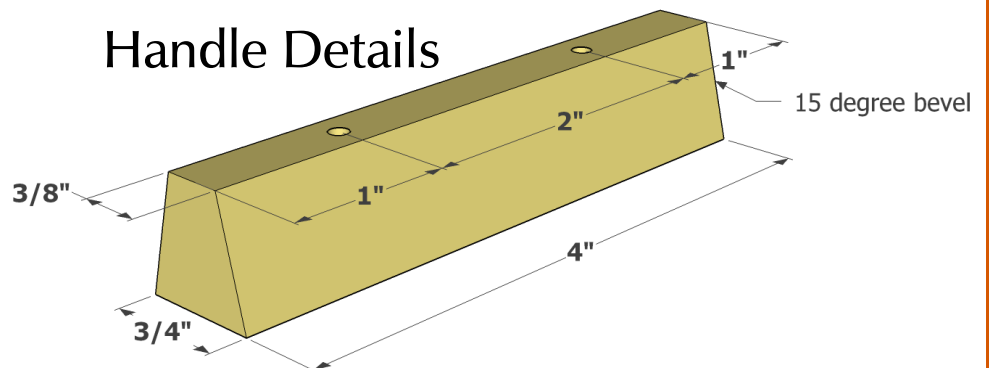


# Door Panel Details

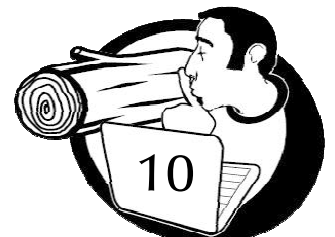


The door handles are closer to the bottom of the door panels so that they will appear centered in the vertical opening.

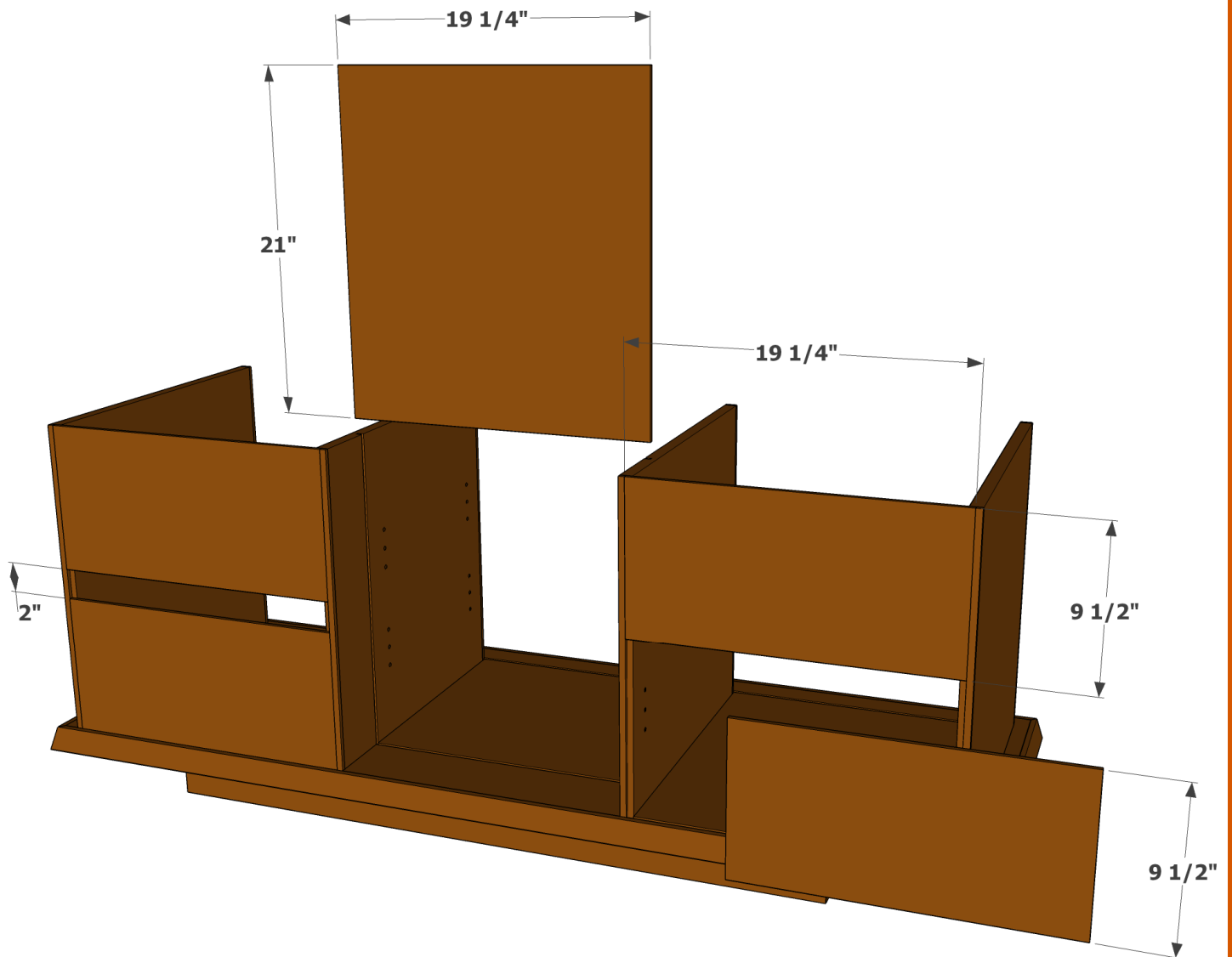
## Handle Details



*Measure from the bottom of the door when laying out the handles.*



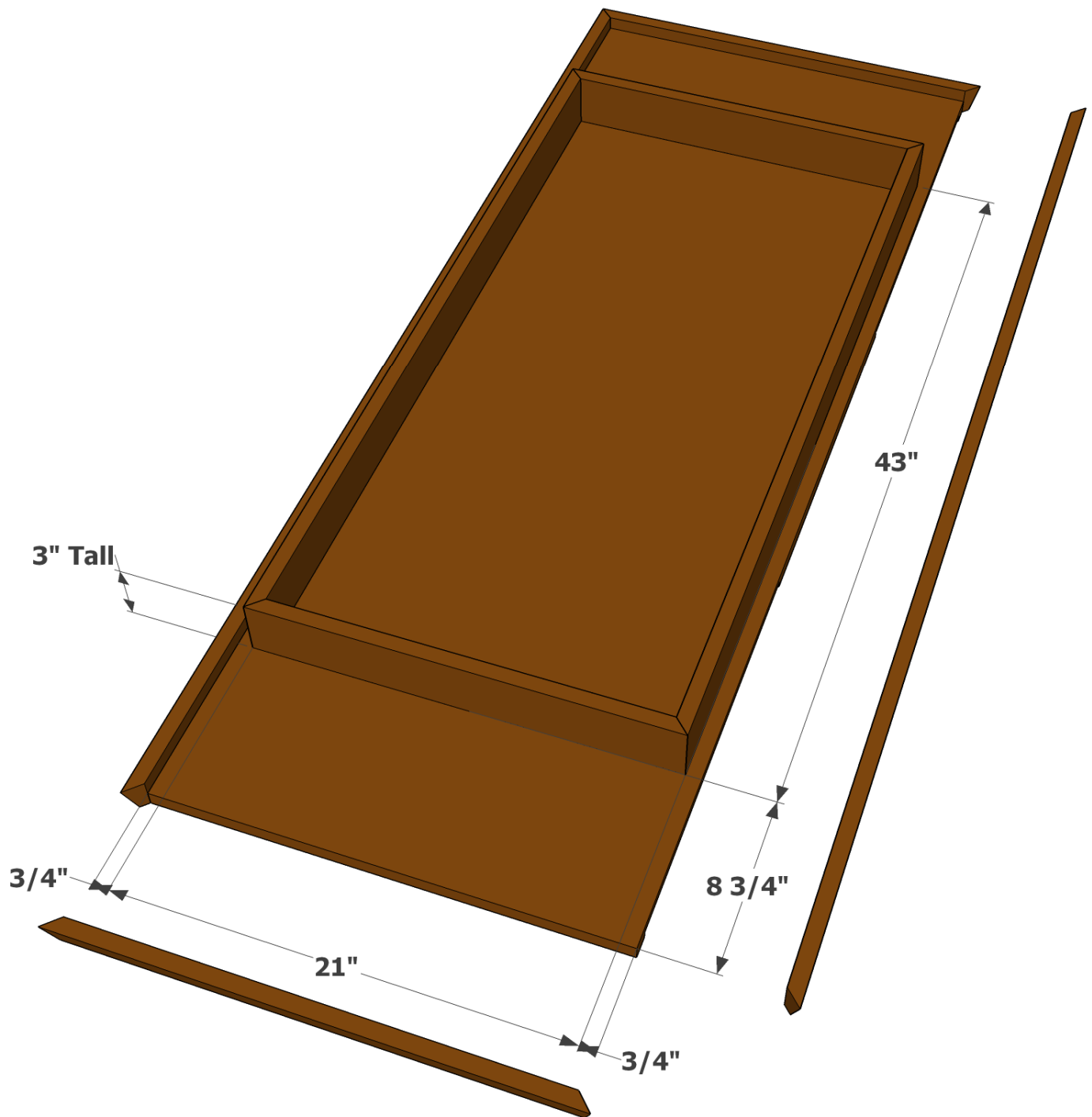
# Back Panel Details



*TIP: Verify measurements with a dry assembly before final cuts.*



# Base Details



*TIP: The base is attached to the bottom panel with pocket screws.*

